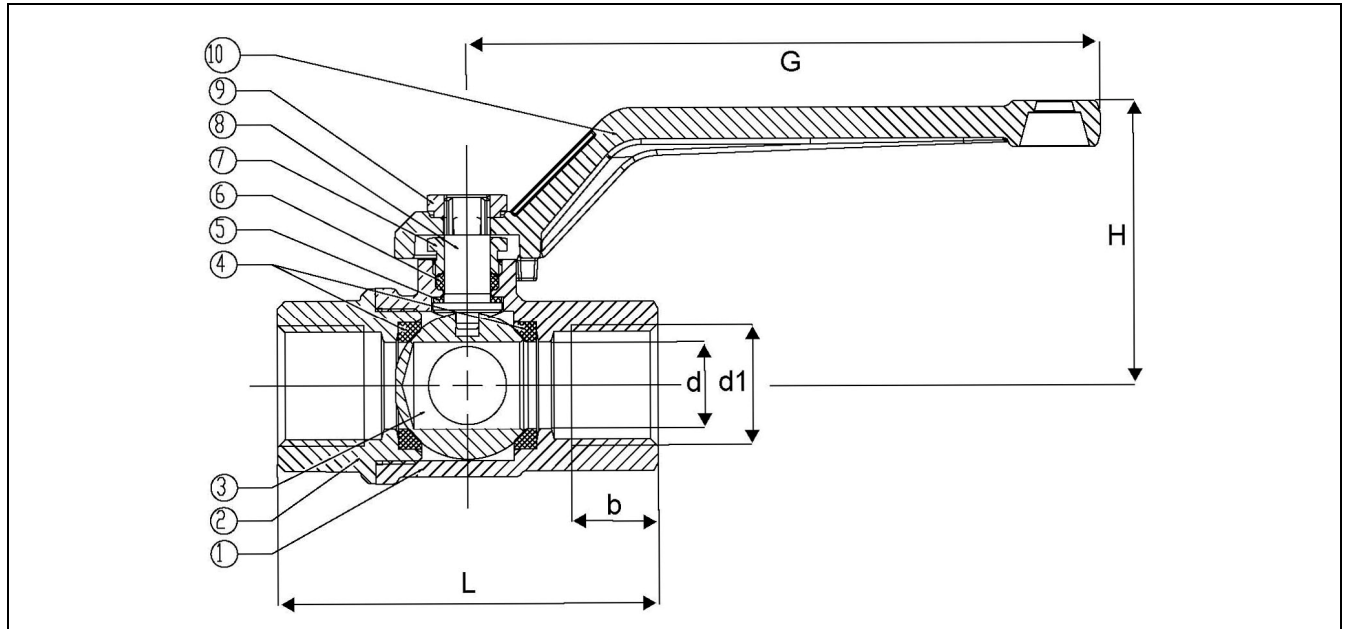


BALL VALVES RK-BALL-O-TOP

3 VL 2000, 3 VT 2000, ¼" - 2", PN16

three-way brass ball valve with threaded ends - full bore



No.	Part	Material
1	body	2.0402
2	cap	2.0402
3	ball	2.0401 chrome-plated
4	sealing ring	PTFE
5	seal	PTFE
6	gland ring	PTFE
7	stuffing box bolt	2.0401
8	spindle	2.0401
9	hex. nut	2.0401
10	lever	steel

Three-way brass ball valve with threaded ends acc. to DIN EN 10226-1 full bore
 face to face dimensions acc. to producers standard

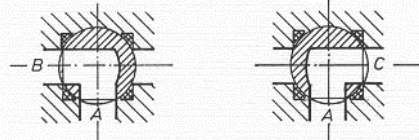
Operating conditions:
 operating pressure 16 bar

Operating temperature:
 -20°C up to +150°C

Threads acc. to:
 standard ISO 7/1

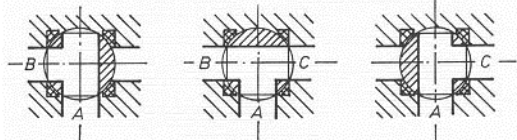
3 VL 2000

Main direction of flow „A“.
 Pressurization connection „B“ or „C“ is possible!



3 VT 2000

Main direction of flow „A“.
 Pressurization connection „B“ or „C“ is possible!



Dimensions

nominal size inch d1	mm d	dimensions (mm)				width across flats	weight ca. kg
		H	G	b	L		
Rp ¼"	10	46	110	10	46	19	0.15
Rp ⅜"	10	46	110	11.4	52	22	0.17
Rp ½"	15	49	102	15	66	27	0.30
Rp ¾"	20	62	129	16.3	76	32	0.45
Rp 1"	25	67	129	19.1	90	41	0.77
Rp 1 ¼"	32	82	159	21.4	110	50	1.27
Rp 1 ½"	40	89	159	21.4	120	55	1.87
Rp 2"	50	110	188	25.7	140	70	2.88

Ordering example: 3 VL 2000 Rp ¼"